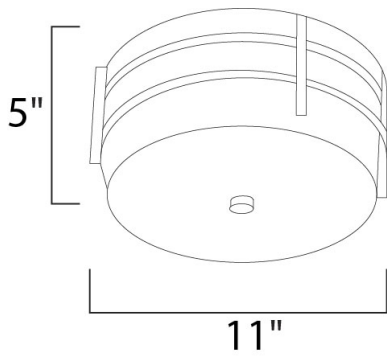




PRODUCT DESCRIPTION



MEASUREMENTS

DIMENSION : 11" L x 11" W x 5" H
 HANGING WEIGHT : 4.07 lb

LAMPING

INPUT VOLTAGE : 120V
 LUMENS : 910 Rated
 BULB : 2 x 9W LED E26 Medium , 18W Total
 BULB INCLUDED : (Included)
 DIMMABLE : Triac CL
 CRI : 90+ CRI
 COLOR_TEMP : 3000K

FINISHES OPTION

 Brushed Metal (BM)

GLASS

White WT

MATERIAL

Aluminum, Acrylic

RATINGS

cETLus
 Damp Location
 JA8 Bulb In



ADDITIONAL

INCANDESCENT WATTS:
 RATED LIFE 25000 Hours
 OPERATING TEMPERATURE:
 -20°C (-4°F), 40°C (104°F)

Always consult a qualified electrician before installing any lighting product.



WESTERN DISTRIBUTION CENTER (HEADQUARTER)
 253 NORTH VINELAND AVE | CITY OF INDUSTRY, CA 91746

EASTERN DISTRIBUTION CENTER
 101 GARDNER PARK | PEACHTREE CITY, GA 30269

P. 626.956.4200 | F. 626.956.4225 | maximlighting.com